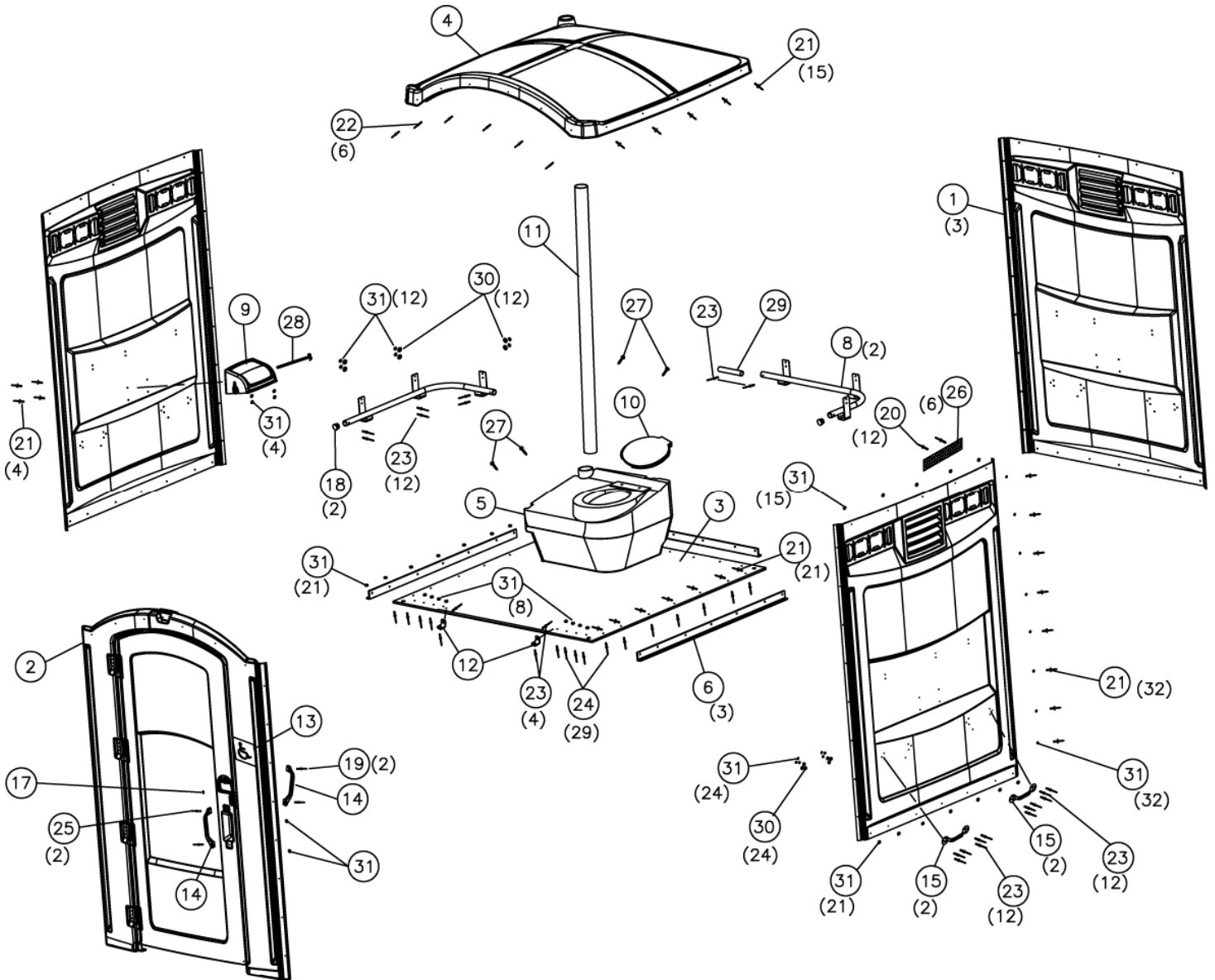


### LIBERTY™ MAJOR ASSEMBLY



### LIBERTY™ COLOR CHART

	TEAL	ROYAL BLUE	SAND	FOREST GREEN	GREY
FRONT PART# (NO LATCH)	18013	18014	18015	18012	18220
PANEL PART#	18033	18034	18035	18032	18219

Visa / Mastercard / American Express / Discover  
 \$25.00 Minimum Order — Prices and quantities subject to change / all prices are FOB FACTORY — Priced in U.S. Dollars  
 20% minimum restocking charge applies on returns

## LIBERTY™ MAJOR ASSEMBLY

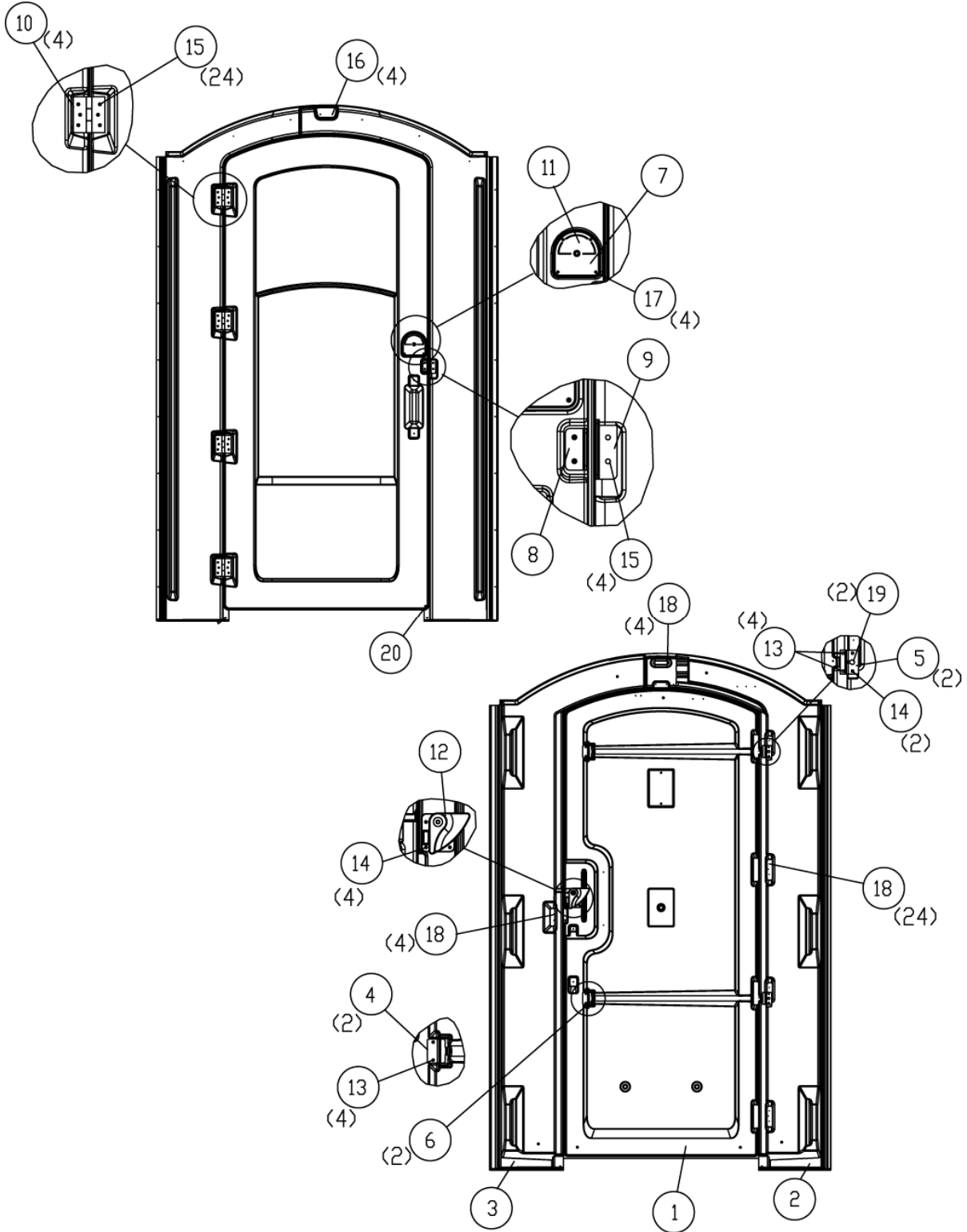
REV B ITEM #	PART#	QTY PER UNIT	DESCRIPTION	PRICE EACH
1	SEE CHART	3	LIBERTY SIDE PANEL	
2	SEE CHART	1	LIBERTY FRONT ASSY (NO LATCH)	
3	18037	1	FLOOR- LIBERTY	
4	18036	1	ROOF- LIBERTY	
5	14508	1	TANK- FRE/LIB 35 GAL CAPACITY	
	18091	1	HDWE/PARTS PKG, LIBERTY	
6	18039	3	ANGLE- PLSTC LIBERTY	
7	18100	1	BOX, 70 X 16 X 8 (NOT SHOWN)	
8	18038	2	HANDRAIL- LIBERTY	
	18040	1	HDWE, LIBERTY	
9	17082	1	HOOD- PAPERGUARD II GREY	
	16928	1	KIT- PAPERGRD 2 ROLL PUSH CAP	
	16845	1	KIT- PAPERGRD 2 ROLL POP RIVET	
	19116	1	KIT- PAPERGRD 3 ROLL PUSH CAP	
	19114	1	KIT- PAPERGRD 3 ROLL POP RVT	
	19408	1	KIT- PAPERGRD 4 ROLL VERTICAL	
10	10570	1	SEAT- TOILET TUF/FRE/LIB BLACK	
	19196	1	KIT- T/SEAT 2-1/2 BOLT/NUT SET	
11	13796	1	VENT PIPE- 3 X 65-1/2 BLACK	
12	16175	2	BRACKET- L 1in STNLS	
13	14401	1	DECAL- WHEELCHAIR ACCESSIBLE	
14	16807	2	HANDLE- PLASTIC HOVER	
15	14611	4	HANDLE- RESTROOM LIFT	
16	18041	1	INSTRUCTIONS LIBERTY	
17	10161	1	PLUG- ½ INDICATOR BLACK PLST	
18	15588	2	PLUG- 1-1/4 HOLE	
19*	17030	2	RIVET- AVDEL BLACK	
20*	15337	12	RIVET- .195in PLASTIC EXPANDNG	
21*	11054	72	RIVET- #68 AAL POP	
22*	14427	6	RIVET- #66 LSH W/LOCK MANDREL	
23*	11270	42	RIVET- #68 STNLS	
24	14351	29	RIVET- #610 CCP	
25*	10812	2	RIVET- #612 ALUM	
26	14112	6	SCREEN- 3.8 X 15.25 PLSTC VENT	
27*	13860	4	SCREW- #14 X 1-1/2 W/WSH GOLD	
28	16844	1	SPINDLE- PAPERGUARD II	
	12642	1	SPINDLE- PAPERGRD 2 ROLL WOOD	
	18529	1	SPINDLE- PAPERGRD 3 ROLL METAL	
	18696	1	SPINDLE- PAPERGRD 3 ROLL WOOD	
29	15589	1	TUBE- HANDRAIL INSERT	
30*	11361	36	WASHER- 3/16 ID FENDER	
31*	11315	139	WASHER- 3/16 RIVET STNLS	
	20923	1	KIT- LIBERTY FRONT SUPPORT	

Consult Your Area Manager at:

Tel: 1-800-883-1123 (US & Canada) Fax: 1-800-328-3334 (US & Canada)

Web Site: [www.satelliteindustries.com](http://www.satelliteindustries.com)

LIBERTY™ FRONT ASSEMBLY



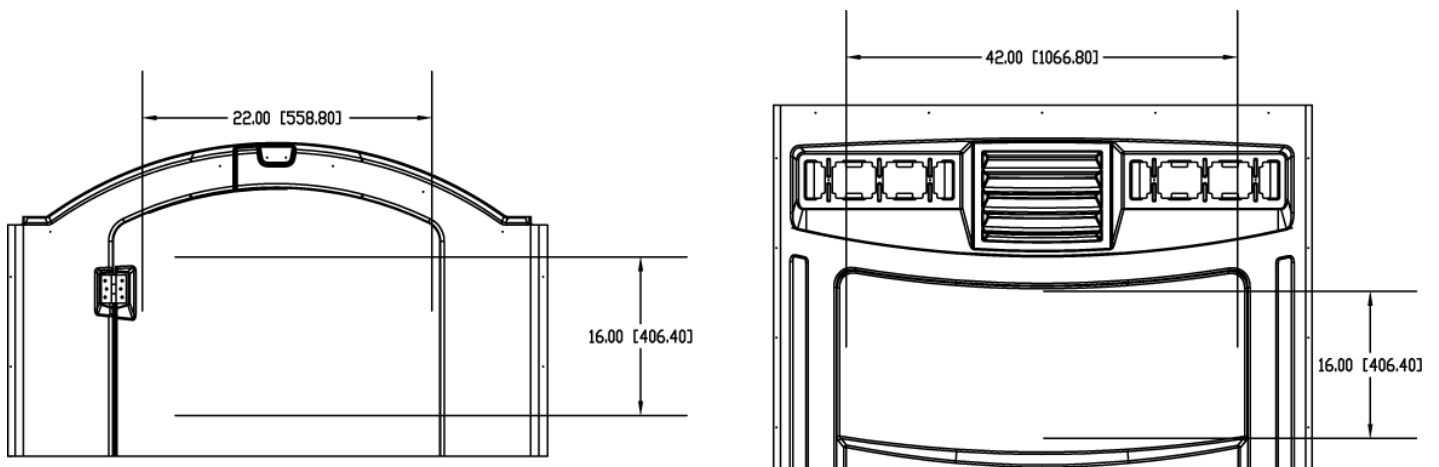
Visa / Mastercard / American Express / Discover  
 \$25.00 Minimum Order — Prices and quantities subject to change / all prices are FOB FACTORY — Priced in U.S. Dollars  
 20% minimum restocking charge applies on returns

## LIBERTY™ FRONT ASSEMBLY

REV F ITEM #	PART#	QTY PER UNIT	DESCRIPTION	PRICE EACH
1		1	LIBERTY DOOR	NOT SALEABLE
2		1	LIBERTY HINGE FACING	NOT SALEABLE
3		1	LIBERTY HASP FACING	NOT SALEABLE
4	10511	2	BRACKET- SPRING ANCHOR TUFWAY	
5	14770	2	BRACKET- MAXIM CABLE ANCHOR	
6	18054	2	CLOSURE ASSY- LIBERTY DOOR	
7	13415	1	COVER- INDICATOR BLACK	
8	13197	1	HASP- 3/16 RIVET HOLE DOOR	
9	13199	1	HASP- 3/16 RIVET HOLE FACING	
10	15708	4	HINGE- DOOR STNLS HEAVY NARROW	
11	15630	1	INDICATOR- UNIVERSAL	
12	14767	1	LATCH- RESTROOM PLASTIC	
13*	12393	8	RIVET- #64 AAP POP	
14*	17436	6	RIVET- AVDEL SILVER	
15*	11270	28	RIVET- #68 STNLS	
16*	11024	4	RIVET- #610 AAP	
17*	10804	4	SCREW- #8 X 3/4 PHPN TAP	
18*	11315	32	WASHER- 3/16 RIVET STNLS	
19*	14803	2	PLUG- 3/8 HOLE	
20*	18098	1	SCREW- #10 X 2 PN PH TAP	
	14198		KIT- LATCH & INDICATOR ( TUFWAY, MAXIUM 2000 & IBERTY)	
	15391		KIT- PLASTIC DOOR LATCH ( TUFWAY, MAXIUM 2000 & IBERTY)	
	13726		KIT- UNIVERSAL INDICATOR ( TUFWAY, MAXIUM 2000 & IBERTY)	

\* ONLY SOLD IN MULTIPLES OF100

## LIBERTY™ LOGO AREA



Consult Your Area Manager at:

Tel: 1-800-883-1123 (US &amp; Canada) Fax: 1-800-328-3334 (US &amp; Canada)

Web Site: [www.satelliteindustries.com](http://www.satelliteindustries.com)